



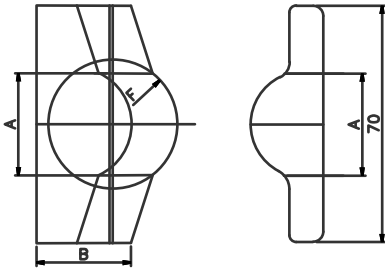
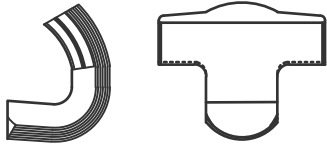
PRODUCTS

STEEL FITTINGS

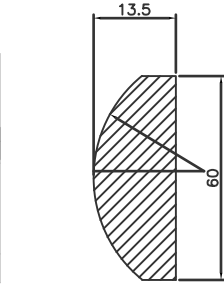
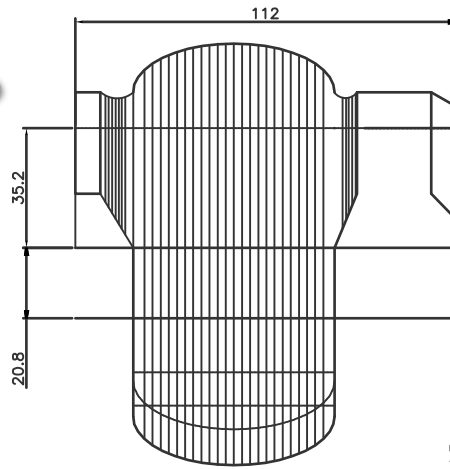


MODIFIED LOOSE JAWS  
RDSO T-1801

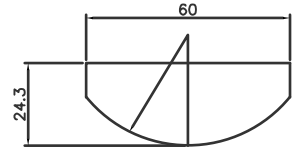
LOOSE JAWS



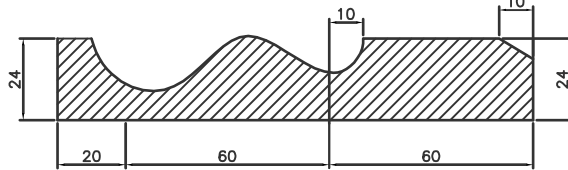
SPRING STEEL LOOSE JAWS  
DRG.No.T-415(M)



SECTIONAL AT X.X



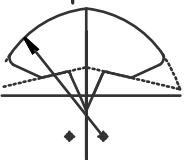
SECTIONAL A.A



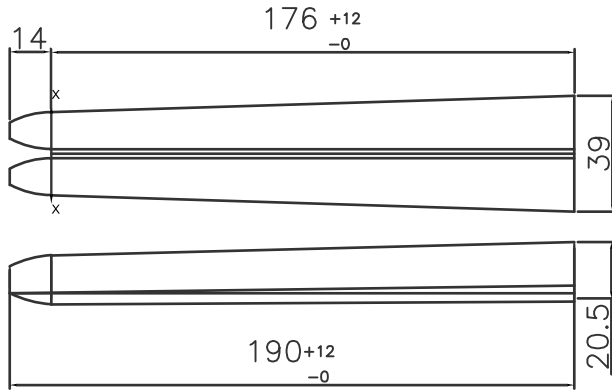
SECTIONAL A.A

TWO WAY KEYS

SECTION ON X.X.



END ELEVATION



DRG.NO T-405(M)

OVER SIZE TWO  
WAY KEYS  
RTSO 580(M)

