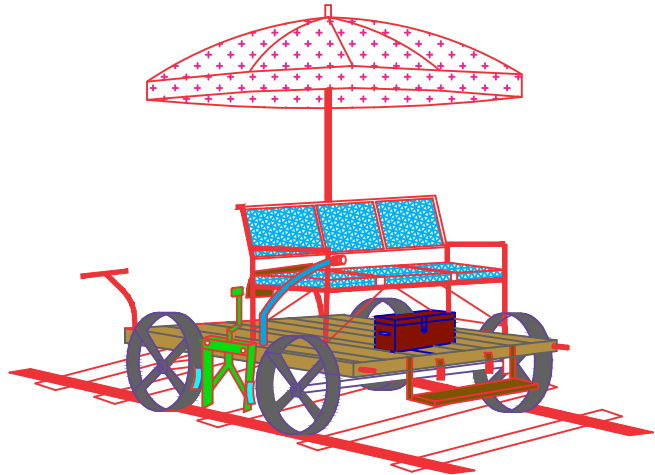


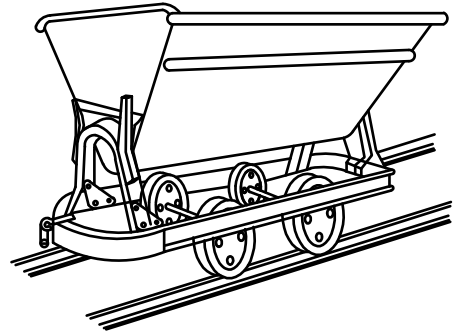


PRODUCTS

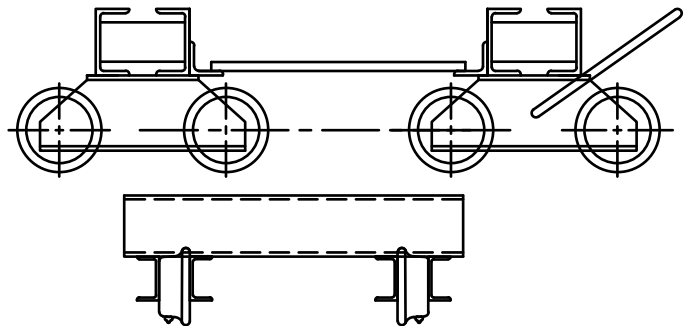
DIFFERENT TYPES OF TROLLEY/RAIL DOLLY



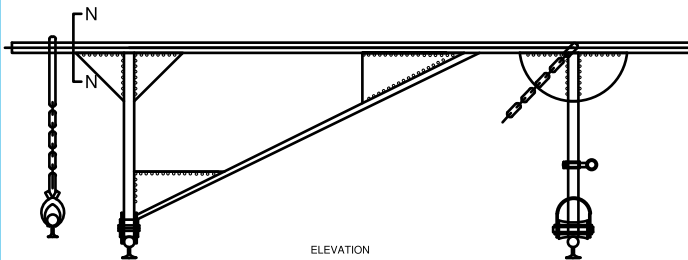
INSPECTION PUSH TROLLEY



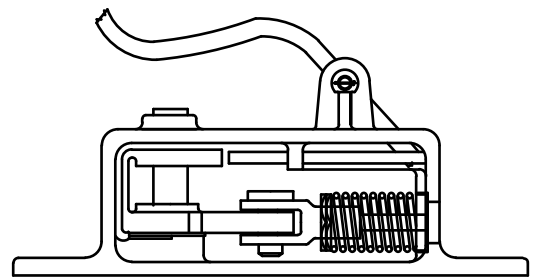
PARRY TYPE TROLLEY



DIP LORRY



RAIL DOLLY



HAND LEVER BOX



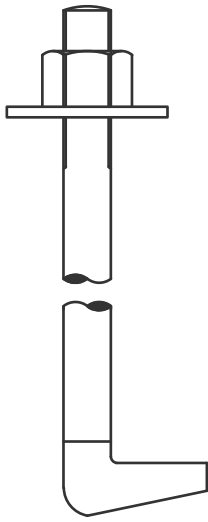
MOTORIZED PLATFORM TROLLEY



PRODUCTS

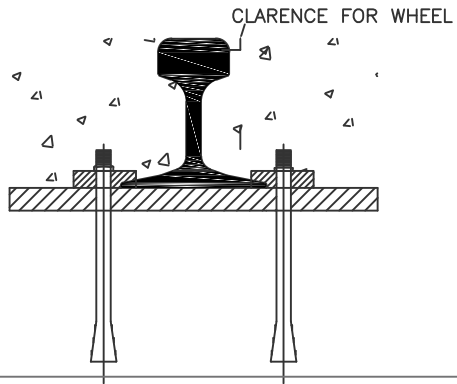
DIFFERENT TYPES OF TROLLEY/RAIL DOLLY

HOOK BOLT

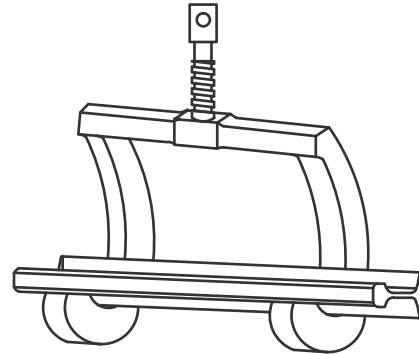


HOOK BOLTS FOR BRIDGE SLEEPERS
DRG.No B003/M

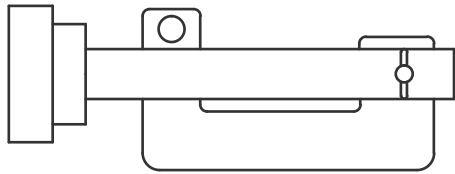
FOUNDATION BOLT



JIM CROW (RAIL BENDER) FOR RAILS



POINT LOCKING BOLT



POINT LOCKING BOLT TO LOCK SWITCHES

WHEEL & AXCLE

